

# Technical data sheet



## Product features

### Cooking range gas

<b>Model</b>	<b>SAP Code</b>	00013706
--------------	-----------------	----------



- Device type: Gas unit
- Power consumption of the zone 1 [kW]: 8
- Power consumption of the zone 2 [kW]: 8
- Power consumption of the zone 3 [kW]: 8
- Power consumption of the zone 4 [kW]: 8
- Power consumption of the zone 5 [kW]: 5
- Power consumption of the zone 6 [kW]: 3,5
- Material: AISI 304 top plate, AISI 430 cladding

<b>SAP Code</b>	00013706	<b>Number of zones</b>	6
<b>Net Width [mm]</b>	1200	<b>Power consumption of the zone 1 [kW]</b>	8
<b>Net Depth [mm]</b>	900	<b>Power consumption of the zone 2 [kW]</b>	8
<b>Net Height [mm]</b>	900	<b>Power consumption of the zone 3 [kW]</b>	8
<b>Net Weight [kg]</b>	103.00	<b>Power consumption of the zone 4 [kW]</b>	8
<b>Power gas [kW]</b>	40.500	<b>Power consumption of the zone 5 [kW]</b>	5
<b>Type of gas</b>	Natural gas, propane butane	<b>Power consumption of the zone 6 [kW]</b>	3,5

# Technical data sheet



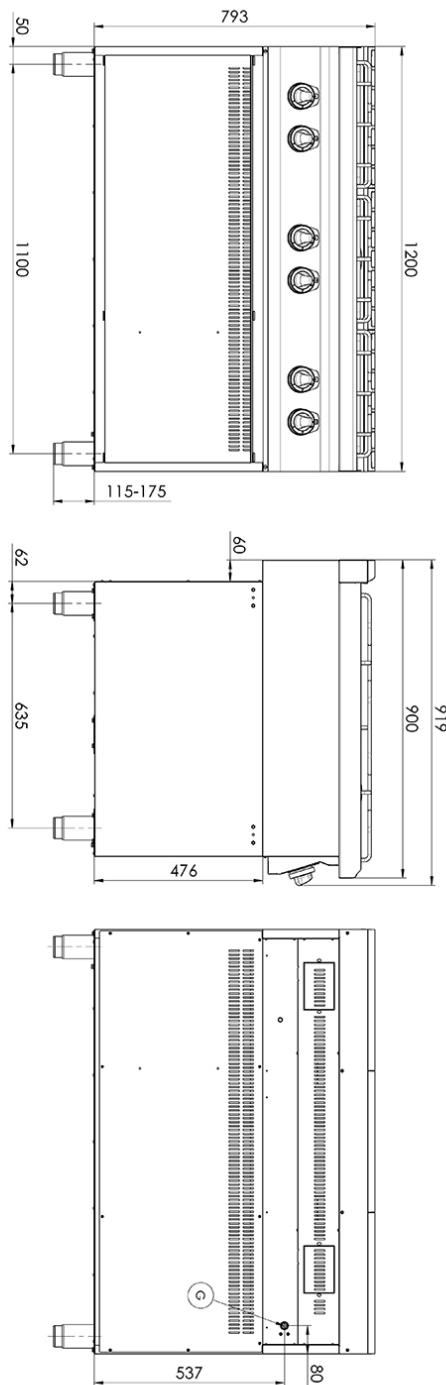
Technical drawing

Cooking range gas

Model

SAP Code

00013706



# Technical data sheet



## Technical parameters

### Cooking range gas

**Model**

**SAP Code**

00013706

**1. SAP Code:**

00013706

**2. Net Width [mm]:**

1200

**3. Net Depth [mm]:**

900

**4. Net Height [mm]:**

900

**5. Net Weight [kg]:**

103.00

**6. Gross Width [mm]:**

1260

**7. Gross depth [mm]:**

990

**8. Gross Height [mm]:**

1180

**9. Gross Weight [kg]:**

119.00

**10. Device type:**

Gas unit

**11. Construction type of device:**

With substructure

**12. Power gas [kW]:**

40.500

**13. Type of gas:**

Natural gas, propane butane

**14. Material:**

AISI 304 top plate, AISI 430 cladding

**15. Worktop type:**

With removable containers - convenient maintenance, cleaning and service access

**16. Worktop material:**

AISI 304

**17. Number of zones:**

6

**18. Power consumption of the zone 1 [kW]:**

8

**19. Power consumption of the zone 2 [kW]:**

8

**20. Power consumption of the zone 3 [kW]:**

8

**21. Power consumption of the zone 4 [kW]:**

8

**22. Power consumption of the zone 5 [kW]:**

5

**23. Power consumption of the zone 6 [kW]:**

3,5

**24. Grid material:**

Stainless steel

**25. Service accessibility:**

Trough the frontal panel

**26. Safety thermocouple:**

Yes

**27. Adjustable feet:**

Yes

**28. Number of burners/hot plates:**

8

# Technical data sheet



Technical parameters

## Cooking range gas

**Model**

**SAP Code**

00013706

### 29. Type of gas cooking zones:

Classic

### 30. Burner type:

Brass, undetachable